

# 800TC WIRELESS HDMI/SDI VIDEO TRANSMISSION SYSTEM

## MANUAL BOOK



## ■ Trademarks

Ghost-Eye Wireless Video Transmission Systems™ are trademarks of Cine Gears Inc. Web Interface.

## ■ Statement of Conditions

In the interest of improving internal design, operational function, and/or reliability, Cine Gears Inc. reserves the right to make changes to the products described in this document without notice.

Cine Gears Inc. does not assume any liability that may occur due to the use or application of the product(s) or circuit layout(s) described herein.

## ■ FCC Compliance Notice: Radio Frequency Notice

The device has met the FCC 15.247 requirement. In order to comply with the FCC RF exposure requirement, the user must keep 20cm away from the antenna.

This device has been tested and found to comply with the limits for a Class B digital device, pursuant to part 15 of the FCC Rules. These limits are designed to provide reasonable protection against harmful interference in a residential installation. This device generates, uses, and can radiate radio frequency energy and, if not installed and used in accordance with the instructions, may cause harmful interference to radio communications. However, there is no guarantee that interference will not occur in a particular installation. If this device does cause harmful interference to radio or television reception, which can be determined by turning the equipment off and on, the user is encouraged to try to correct the interference by one or more of the following measures:

- Reorient or relocate the receiving antenna.
- Increase the separation between the equipment and receiver.
- Connect the equipment into an outlet on a circuit different from that to which the receiver is connected.
- Consult the dealer or an experienced radio/TV technician for help.

## ■ Information to the user

The user's manual or instruction manual for an intentional or unintentional radiator shall caution the user that changes or modifications not expressly approved by the party responsible for compliance could void the user's authority to operate the equipment. In cases where the manual is provided only in a form other than paper, such as on a computer disk or over the Internet, the information required by this section may be included in the manual in that alternative form, provided the user can reasonably be expected to have the capability to access information in that form.

■ Cautions	2
■ Ghost Eye Wireless Video Transmission Systems	3
■ Product Features	4
■ Specifications	5
Transmitter	7
Receiver	9
■ User Manual	11
Setting Up the Unit	11
Setting Up the Intercom	13
Setting Transmission Output Power	13
Channel Settings	14
Turning Fan On/Off	14
Troubleshooting	15
■ Disclaimers	17
■ About Cinegears	19

### **Warning**

Please read this user introduction manual to become familiar with the features of the Ghost-Eye series products before operation. Failure to operate the product correctly can result in damage to the product, or interference with other devices. This is a sophisticated product which must be operated with caution and common sense. Failure to operate this product properly might result in disturbing other film equipment on set. This product is not intended for use by children without direct adult supervision. Do not use with incompatible components, or alter this product in any way outside of the documents provided by Ghost-Eye. These safety guidelines contain instructions for installation, operation, and maintenance. It is essential to read and follow all of the instruction in the manual, and all the notices and warnings regarding Ghost-Eye series products prior to assembly, setup, or use to prevent any damage or interference.

1. Do not use this product in extreme heat, cold, dusty, or humid environments.
2. Prevent friction against hard objects.
3. Prevent jarring, such as from falling from high places, or from improper packaging during transportation.
4. These products are not waterproof; prevent moisture from getting in, on, or around the unit(s).
5. Do not dismantle, assemble, or otherwise alter the product(s) arbitrarily.

### **Electrical Considerations**

1. When this device is sharing a power supply or battery with other equipment, please make sure all signal and power cables are well connected before turning on the Ghost-Eye unit power.
2. When this device is sharing a power supply or battery with other equipment, please make cables from the Ghost-Eye unit.
3. When this device is sharing a power supply or battery with other equipment, please check the polarity of the power connectors of all equipment to ensure the inside conductor is positive. If the polarity of the power connector is unknown, please check the user manual to make sure the outer conductor of the SDI or HDMI connector is connected to the negative of the power supply. Otherwise, the equipment will not be able to share the same power supply with the Ghost-Eye unit.

## Ghost Eye Wireless Video Transmission Systems

Here at Cine Gears Inc., we supply some of the best wireless HD video transmitters and receivers available. During the development of Ghost-Eye units, we subjected our prototypes to rigorous testing on set with professional film crews, and took customer feedback and suggestions into serious consideration. After careful consideration, Ghost-Eye products have integrated all the in-demand wireless video transmission features recommended by you, the user. The fruit of our efforts are catalogued below in the form of our unique Ghost-Eye Wireless Video Transmission kits, across the affordable price range spectrum.

Ghost Eye wireless video transmission kits each fit a different set of wireless HD video transmission needs. The most powerful video transmitters and receivers will satisfy even the most high end professional film crew, and our lightweight models fit a more versatile brand of film set. Ghost-Eye transmission kits transmit and receive 10 bit, 4:4:4 video, support both HD and SD, and can broadcast with less than 1ms/1 frame latency.

The transmitter's output power can be adjusted between 10dBm to 21dBm to suit your shooting environment. At 100% power, the transmission range is at it's maximum of 800-1000 meters (2624-3280 feet). At 50% power, the transmission range is up to 200-300 meters (656-984 feet). The 2.4G tally and talk-back range reaches up to 600 meters (1968 feet).

# Product Features

- Transmits 10-bit color, YCbCr, 4:2:2 color depth, proprietary color matching algorithm on OFDM chips.
- Optimized uncompressed 10-bit 4:2:2 2GBps video stream, or 12-bit 4:4:4 3GBPs wireless video transmission on other models.
- Optimized video processor for on-screen movement.
- Fully supports all audio formats.
- Static channel selection. The channel number and frequency can be modified by software to avoid interference from other devices. Supports multiple receivers and AES 128 bit video encryption.
- FPGA technology adopting American IRTA programmable logic matrix chips.
- Follows the international film association time code protocols. Accurate time code extraction, transmission, and encryption using embedded time code transmission method. Hardware encrypted time code to IRTA chips.
- Software allows user to adjust transmission output power to avoid interference.
- Uses a separate channel to transmit tally information. Fully supports different intercom interfaces.
- Integrated wireless intercom feature supports up to 300 meters for microphone and speakers. Supports external bluetooth audio devices. Wireless microphones can be adapted.
- Certified software and technical support provided. For organizations, customized frequency, power and products available for organizations.

# Specifications

ITEM	SPECIFICATION
Frequency range	5.1-5.9(GHz)*Subject to different RF regulations in different regions.
	2.4-2.483GHz with ISM band
Modulation method and Bandwidth	OFDM/40MHz for video
	GFSK/1MHz for intercom system
Video Formats Supported	1080p 23.98/24/25/30/50/60 1080psf 23.98/24/25 1080i 50/59.94/60 720p 50/59.94/60 576p 576i 480p 480i
Audio Formats Supported	PCM, DTS-HD, Dolby TrueHD
Time Code	SMPTE-12M
Transmission Range	3280ft(Line of sight)
Transmitter	
Antenna	External Antenna 5G × 2pcs
	External Antenna 2.4G x1pcs
Transmission Power	18dBm
Functional Interface	HDMI Input; SDI Input; SDI Loop Output; Mini USB; LEMO Power IN; Antenna RPSMA Socket; Power ON/OFF,3.5mm HP/MIC socket TALLY output for Wrist
Mounting Structure	1/4" Hot-shoe connection
OLED Display	Channel Info; Video status; Battery capacity; Status Menu, Audio Volume
Power Source	9-18V for DC input, F550/F970 battery
Power Consumption	7.5-8.5W



## Specifications

Net Weight(with antenna)	400g
Dimensions	142.5×76×24.3mm
Temperature	-10-50° (Operating); -40-80° (Storage)
Receiver	
Antenna	External Antenna 5G × 5pcs
	External Antenna 2G x1pcs
Receiving Sensitivity	-70dBm
Functional Interface	SDI Dual Output; HDMI Output; Mini USB; LEMO Power IN; Antenna RPSMA Socket; Power ON/OFF, 3.5mm HP/MIC socket;3.5mm TALLY socket; LEMO 6 needle
Locating Structure	1/4" Hot-shoe connection
OLED Display	Channel Info; Signal Strength; Power Info; TALLY indicator
Power Source	9-18V for DC input; SONY V-mount battery
Power Consumption	7.5-8.5W
Net Weight(with antenna)	800g
Dimensions	169.5×122×25.2mm
Temperature	-10-50° (Operating); -40-80° (Storage)

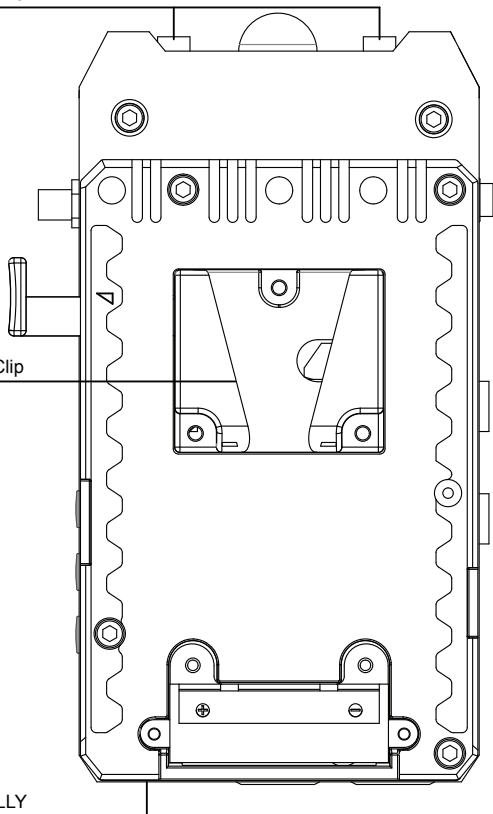
\*Since the product's improving process, all the performance, design and specifications of our products are subject to minor change without prior notice.

# Transmitter

14 5G Antenna

15 Battery Clip

16 Rear TALLY



1 Front TALLY

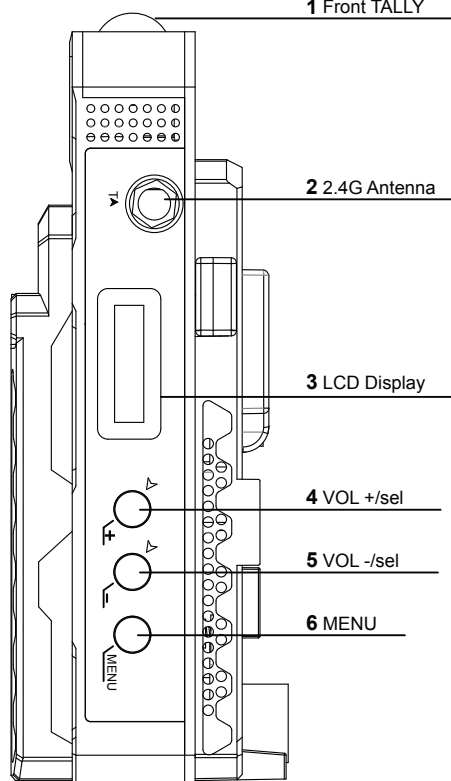
2 2.4G Antenna

3 LCD Display

4 VOL +/sel

5 VOL -/sel

6 MENU



7 Power ON/OFF

8 EXT TALLY output

9 MIC/HP

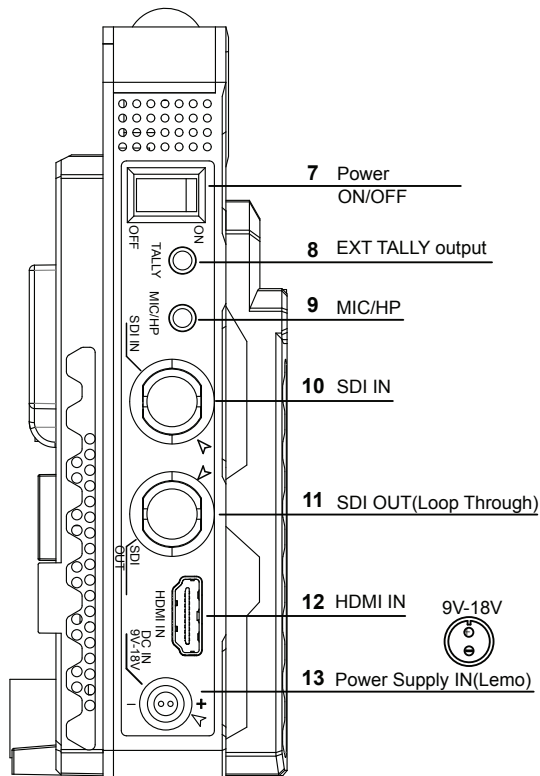
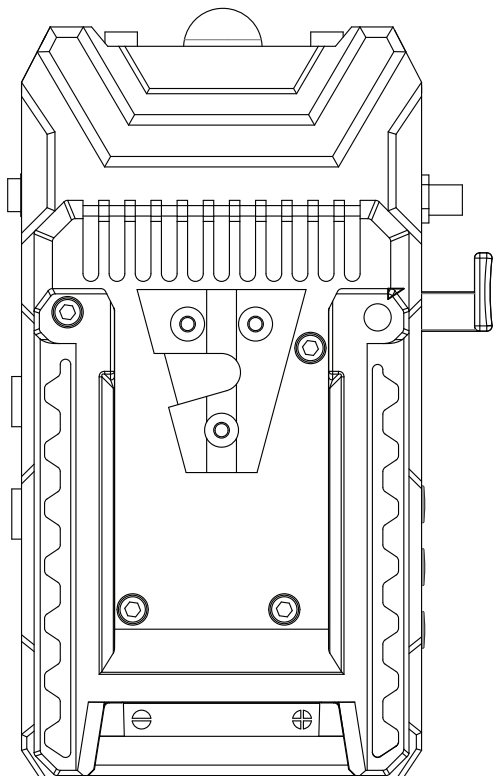
10 SDI IN

11 SDI OUT(Loop Through)

12 HDMI IN

9V-18V

13 Power Supply IN(Lemo)



<b>STRUCTURE</b>	
<b>1</b>	<b>15mm Front TALLY indicator (Red/Yellow)</b> The indicator color will be the same (Red/Yellow) for rear, front, and external TALLY.
<b>2</b>	<b>2G Antenna Connector</b> SMA connector for 2.4G antenna.
<b>3</b>	<b>OLED Display</b> Displays information for channel, video status, signal strength, battery voltage indicator, and MENU information.
<b>4</b>	<b>VOL + / UP Button</b> Volume + function. In MENU mode, the button functions as an UP key.
<b>5</b>	<b>VOL - / DOWN Button</b> Volume - function. In MENU mode, the button functions as a DOWN key.
<b>6</b>	<b>MENU Button</b> MENU select. In MENU mode, the button functions as a confirm key.
<b>7</b>	<b>Power ON/OFF</b> Power ON or OFF the transmitter.
<b>8</b>	<b>3.5mm External TALLY Output Interface</b> Maximum output current of 20mA, can support LED.
<b>9</b>	<b>3.5mm MIC/HP Interface</b> Connect to external converter box.
<b>10</b>	<b>SDI IN</b> Connect to video source. Supports 3G-SDI, HD-SDI, SD-SDI.
<b>11</b>	<b>SDI OUT (Loop Through)</b> Connect to other SDI equipment if needed.
<b>12</b>	<b>HDMI IN</b> Connect to HDMI video source.
<b>13</b>	<b>DC Power In (Lemo)</b> Supports 9-18V.
<b>14</b>	<b>5G Antenna Connectors</b> RPSMA connectors for 5G antennas.
<b>15</b>	<b>Battery Clip</b> Battery compartment, for F550/F970 batteries.
<b>16</b>	<b>Rear TALLY (Red/Yellow)</b> The indicator color will be the same (Red/Yellow) for rear, front, and external TALLY.

# Receiver

1 5G Antenna

2 LCD Display

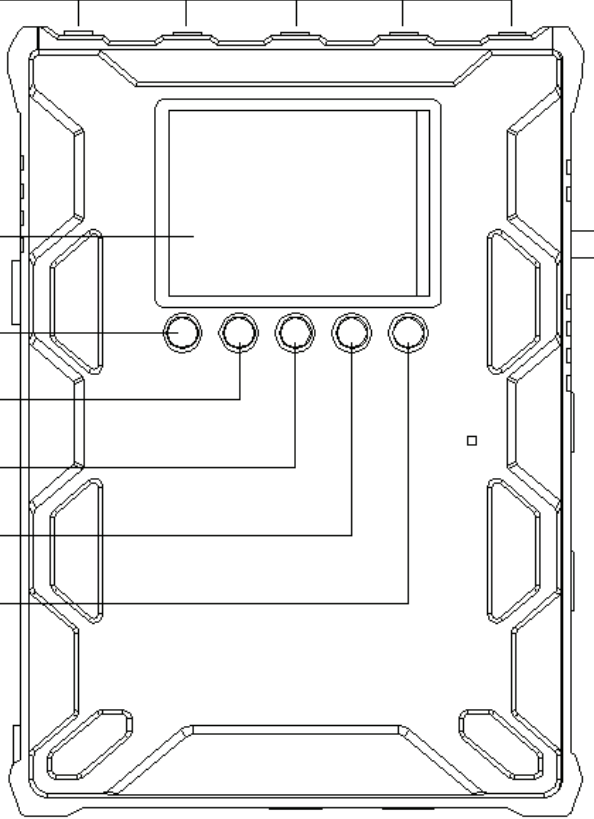
3 MENU

4 LEFT/UP

5 RIGHT/DOWN

6 V+ / UP

7 V- / DOWN



8 BAT-out

9 INTERCOM

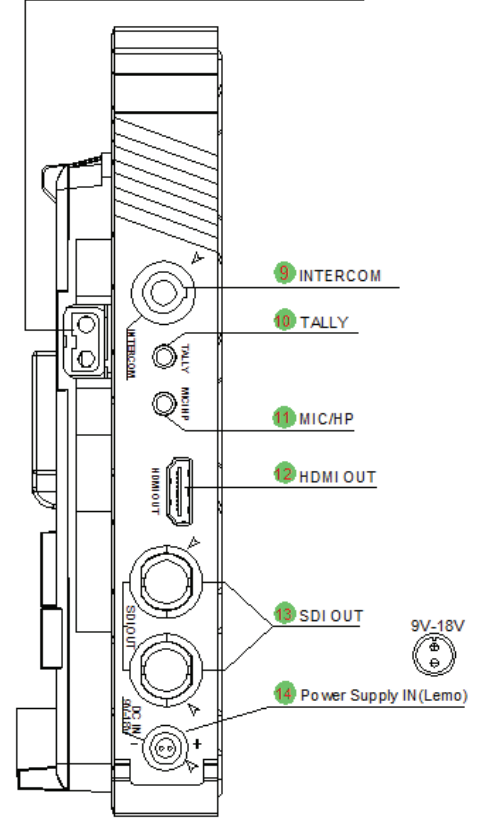
10 TALLY

11 MIC/HP

12 HDMI OUT

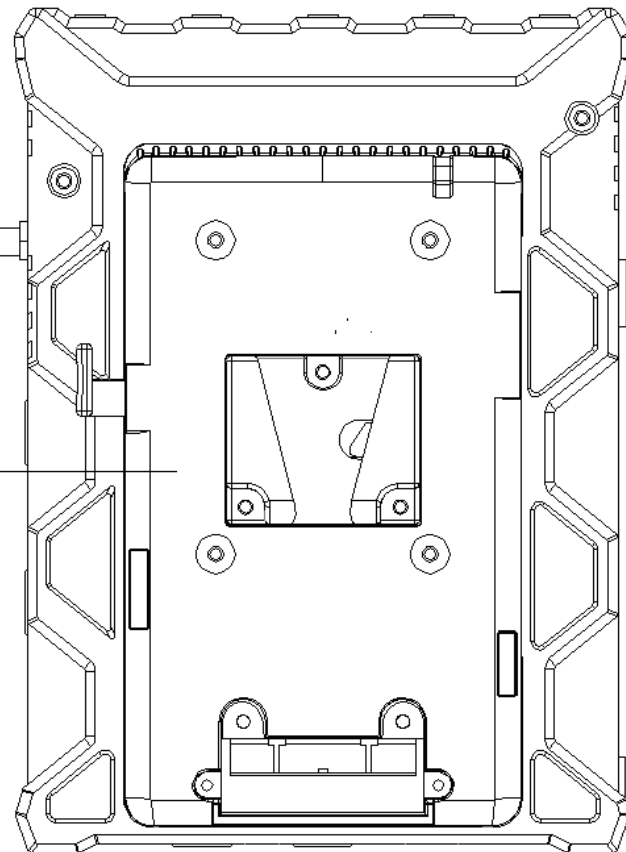
13 SDI OUT

14 Power Supply IN (Lemo)

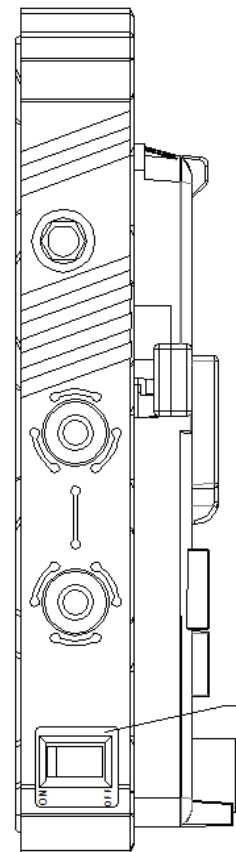


15 2G Antenna

16 Battery Clip



17 Power ON/OFF



<b>STRUCTURE</b>	
<b>1</b>	<b>5G Antenna Connectors</b> RPSMA connectors for antennas.
<b>2</b>	<b>OLED Display</b> Channel, signal strength, battery voltage, audio volume, and MENU.
<b>3</b>	<b>MENU Button</b> Unlock and confirm selection.
<b>4</b>	<b>LEFT / UP Button</b> Select channels.
<b>5</b>	<b>RIGHT / DOWN Button</b> Select channels.
<b>6</b>	<b>V+ / UP Button</b> Volume +.
<b>7</b>	<b>V- / DOWN Button</b> Volume -.
<b>8</b>	<b>BAT-OUT</b> Provides DC power from the battery for an external device.
<b>9</b>	<b>INTERCOM</b> 6pin LEMO for TALLY and intercom system.
<b>10</b>	<b>3.5mm External TALLY Output Interface</b> Maximum output of 20mA, can support LED.
<b>11</b>	<b>3.5mm MIC/HP Interface</b> Connect to external headphone.
<b>12</b>	<b>HDMI OUT</b> Video output, connect to HDMI receiver or device.
<b>13</b>	<b>SDI OUT</b> Video output (video output is the same from the two SDI interfaces), connect to SDI receiver or device.
<b>14</b>	<b>DC Power In (LEMO)</b> Supports 9-18V.
<b>15</b>	<b>2.4G Antenna Connector</b> SMA connector for 2.4G antenna.
<b>16</b>	<b>Battery Clip</b> V-Mount battery (default) battery plate.
<b>17</b>	<b>Power ON/OFF</b> Power ON or OFF the receiver.

1. Fix the three antennas to the transmitter and arrange them to be a right angle as below figure to get better performance.



2. On transmitter side, when both SDI and HDMI source are inputted, the transmitter will automatically select the SDI source for transmission
3. Fix the five antennas to receiver and arrange them to a right angle as figure to get better performance.



4. Setting the receiver higher will enhance the transmission distance.

## Transmitter

- Fix the three antennas (5G x2, 2.4G x1) respectively.
- Connect the SDI or HDMI video source to the “SDI IN”/”HDMI IN” of transmitter (when both SDI and HDMI video are inputted, it will auto select the SDI video for transmission).
- If needed, you can connect the SDI out (loop through) to other equipment as well.
- Connect the DC power to the transmitter or use a battery on the battery plate.
- Power on the transmitter.
- Set the Channel (must set both transmitter and receiver to the same channel)

## Receiver

- Fix the six antennas (5Gx5, 2.4Gx1) respectively.
- Connect the “SDI OUT”/”HDMI OUT” port of the receiver to the monitor or other device.
- Connect DC power via power cable or use V-lock battery on the battery plate.
- Power on the receiver.
- Set the Channel (must set both transmitter and receiver to the same channel).
- After 5-10s, the video transmission will be shown on the monitor.

## Setting Up the Intercom

- After connecting the units, power on both Transmitter and Receiver.
- On the Transmitter side, you will hear sound from the receiver end if “TALK” is not pressed on converter box.
- When the “TALK” button is pressed and held, both the receiver end and the transmitter end can conversation normally.
- The receiver end can hear “call sound” when the operators on the Transmitter side press down the “CALL” button on CALL box.
- When TALLY is triggered via a professional broadcast switcher, the OLED area on the receiver glow red. At the same time, the “TALLY” LED will be lit on the Transmitter (You can also insert your wrist indicator if desired).
- Note: The external TALLY ( wrist LED) interface only supports LED lights at 3.3V@20mA.

## Intercom System Pairing

- Transmitter (TX) side: Press “MENU” button first, then press “UP” or “DOWN” buttons to choose “Talk Pair” on screen and press “MENU” button again to confirm.
- Receiver (RX) side: Press “VOL-” button first, then press “RIGHT” button to start intercom pairing.
- Transmitter (TX) side will auto restart, Receiver(RX) side should be manually restarted.
- When both sides are restarted, Intercom system pairing is complete.

## Changing Transmission Output Power

- Press the “+” and “-” buttons on the transmitter simultaneously for 3 seconds.
- Press “+” or “-” to select “PWR.” Press MENU to confirm.
- Press “+” or “-” to increase or decrease transmission output power.
- Press MENU to confirm.



## Channel Settings


Both Transmitter and Receiver are set to the same channel by default. If you want to change to a new channel, please follow the instructions below.

Note: Both transmitter and receiver must be set to the same channel to work.

### Changing Channel on Transmitter

- Power on the Transmitter
- Press the “MENU” button, then press “UP” or “DOWN” to choose “Channel Set” on screen. Press “MENU” to confirm.
- Press “UP” or “DOWN” to choose channel, then press “MENU” to confirm.
- Transmitter channel setting accomplished.

### Changing the Channel on Receiver

- Power on the Receiver.
- Press and hold “MENU” button until display unlock icon appears 
- Click “LEFT” or “RIGHT” buttons to choose channel, then click “MENU” to confirm.
- Receiver channel setting accomplished.

### Turning the Fan On or Off

- Press the “+” and “-” buttons on the transmitter simultaneously for 3 seconds.
- Press “+” or “-” to select “FAN.” Press MENU to confirm.
- Press “+” or “-” to turn fan ON or OFF.
- Press MENU to confirm.

## Troubleshooting

If the Receiver fails to output video correctly, follow the chart below to find possible causes and solutions.

	ISSUE	SOLUTION
<b>OSD Information on TV</b>	<b>Displaying “Waiting for Connection...” for a Prolonged Period</b>	
	Transmitter is not powered up.	Turn on the transmitter.
	Transmitter or receiver is not placed correctly.	Place the TX or RX correctly.
	The transmitter and receiver are too far away.	Move the receiver closer to the transmitter.
	Several solid wall partition on TX and RX.	Reduce the number of obstructions between the TX and RX.
	There are too many obstacles between TX and RX.	Move the receiver closer to the transmitter.
	Other transmitter is working on the same or adjacent channel	Turn off other transmitter, or change channel.
	<b>No Video Signal Received</b>	
	Transmitter and video source are not connected.	Connect the transmitter to video source by SDI/HDMI cable.
	The video source is turned OFF	Turn on the video source.
	Bad connection of transmitter cable	Disconnect and re-connect the transmitter.
	Transmitter is working abnormally	Restart the transmitter.
	Problem with the cable between TX and video source	Change the SDI/HDMI cable.
	Player does not support the output resolution format	Switch the output video resolution to other modes.
	The TV/Monitor does not support HDCP authentication	Replace TV/Monitor with HDCP-Certified TV/Monitor.

<b>Image</b>	<b>No Signal Input to Receiver or TV/Monitor</b>	
	Receiver is turned off.	Turn on the receiver.
	Receiver and TV are not connected.	Connect receiver and TV/Monitor via SDI/HDMI input.
	TV/Monitor not switched to SDI/HDMI input	Switch TV/Monitor to SDI/HDMI input.
	Bad cable connection of receiver or TV/Monitor.	Disconnect and re-connect the SDI/HDMI cable.
	TV/Monitor turned to standby mode.	Switch the TV/Monitor to normal operation mode.
	Receiver is working abnormally.	Restart the receiver.
	<b>No Image Appears on the TV/Monitor</b>	
	Bad connection from receiver or cable.	Reconnect the cable of the receiver or TV/Monitor.
	Receiver is working abnormally.	Restart the receiver.
	Receiver failure.	Please contact your retailer.
	<b>Abnormal Color on TV Screen</b>	
	Bad connection from receiver cable or TV/Monitor.	Disconnect and re-connect the HDMI cable of the receiver or TV.
	Bad connection from transmitter cable or video source.	Disconnect and re-connect the HDMI cable of the transmitter and player.
	Transmitter or receiver working abnormally.	Restart transmitter and receiver.

## ■ FCC Statement

This equipment has been tested and found to comply with the limits for a Class B digital device, pursuant to part 15 of the FCC rules. These limits are designed to provide reasonable protection against harmful interference in a residential installation. This equipment generates, uses and can radiate radio frequency energy and, if not installed and used in accordance with the instructions, may cause harmful interference to radio communications. However, there is no guarantee that interference will not occur in a particular installation. If this equipment does cause harmful interference to radio or television reception, which can be determined by turning the equipment off and on, the user is encouraged to try to correct the interference by one or more of the following measures:

-Reorient or relocate the receiving antenna.

Increase the separation between the equipment and receiver.

Connect the equipment into an outlet on a circuit different from that to which the receiver is connected.

Consult the dealer or an experienced radio/TV technician for help.

To assure continued compliance, any changes or modifications not expressly approved by the party responsible for compliance could void the user's authority to operate this equipment. (Example use only shielded interface cables when connecting to computer or peripheral devices).

## FCC Radiation Exposure Statement

This equipment complies with FCC RF radiation exposure limits set forth for an uncontrolled environment.

This transmitter must not be co-located or operating in conjunction with any other antenna or transmitter.

This equipment complies with part 15 of the FCC Rules.

Operation is subject to the following two conditions:

(1) This device may not cause harmful interference.

(2) This device must accept any interference received, including interference that may cause undesired operation.

## Cautions

The manufacturer is not responsible for any radio or TV interference caused by unauthorized modifications to this equipment. Such modifications could void the user authority to operate the equipment.

## ■ Terms and Conditions

Congratulations on purchasing your new CINEGEARS product. Please read this manual carefully before using the product. By using this product, you hereby agree to this disclaimer and signify that you have read it in full. You agree that you are responsible for your own conduct and any content created while using CINEGEARS products, and for any consequence thereof. You agree to use this product only for purposes that are proper and in accordance with local regulations, terms and any applicable polices and guidelines.

By reading this disclaimer, you also agree:

1. Any part of this disclaimer is subject to change without prior notice. Refer to [WWW.CINEGEARS.COM](http://WWW.CINEGEARS.COM) for the latest version.
2. CINEGEARS reserves the right of final interpretation of this disclaimer.

CINEGEARS and the Follow Focus Kit are registered trademarks of Littlecent International Trading Corp. as names of product, brand, etc., appearing in this manual are trademarks or registered trademarks of their respective owner companies. This product and manual are copyrighted by CINEGEARS with all rights reserved. No part of this product or manual shall be reproduced in any form without the prior written consent or authorization of CINEGEARS.

# About Cinegears

Cine Gears Inc. is an industry leading company that designs and manufactures digital wireless follow focus systems, lens control systems, camera motion control systems and accessories for film and broadcast industry. As a big believer in the power of creativity and ideas, we designed the Pegasus cablecam, the wireless motor drive that integrated a built in wireless transmitter, and the wireless finger wheel controller. The Cine Gears Inc. wireless lens control system has the international CE certification on all its equipment. Cine Gears lens control system can achieve the finest minutia of focus pulling, with extreme accuracy and control. This very same technology is what drives the Pegasus for ultra-smooth, highly controlled, programmed movement.

We have been working from Vancouver, B.C. for five years and our equipment has been used on hundreds of movies. Filmmakers of all experience levels will benefit greatly from a simple, professional, and well rounded follow focus system. The Single Axis and Multi Axis models provide greater ease, with less crew, and less wires. You can achieve professional film quality scenes on a shoestring budget. Camera operators, assistant camera operators, and jib operators can use the wireless follow focus to attain that perfect shot.

## Customer Support



If you encounter any issues with any of our products please contact us directly via the details provided below. DO NOT CONTACT THE RETAIL STORE.

CINE GEARS INC. (USA)  
47 East South Street, Suite 401  
Frederick, Maryland 21701, USA  
Tel: 1 206 462 2858  
Toll Free: 1 800 693 8883

CINE GEARS INC. (Canada)  
201-6700 No. 3 Road  
Richmond, BC V6Y 2C3, Canada  
Tel: 1 604 243 9995